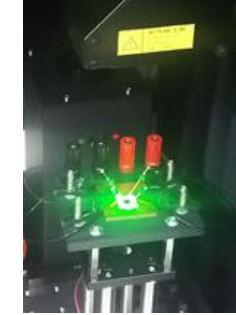
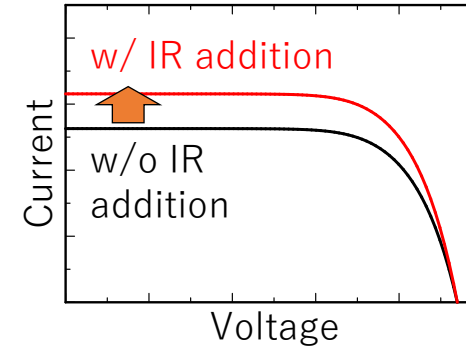
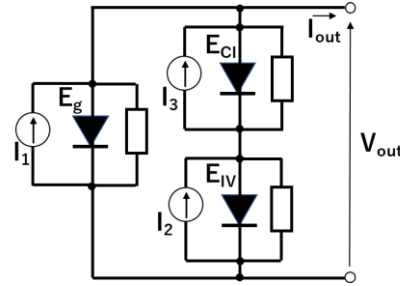
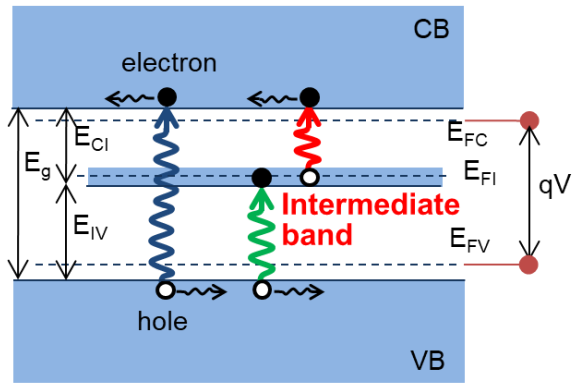
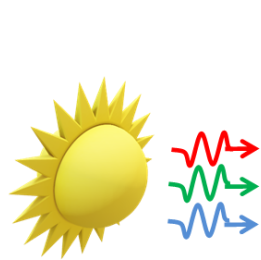
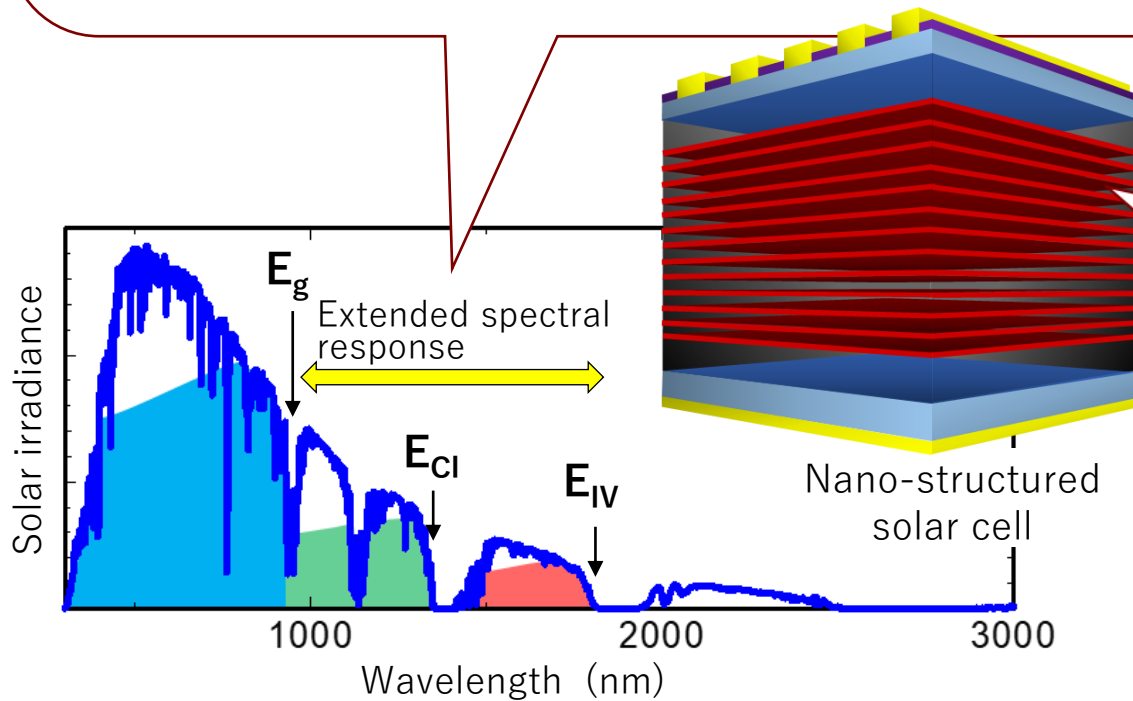


Fabrication of semiconductor nano-structures and their application to high-efficiency solar cells



Analysis and evaluation of carrier dynamics in intermediate band solar cells



Development of III-V semiconductor nano-structures by molecular beam epitaxy

